





Hygienic Cable Glands Stainless Steel

Cable glands for hygienic requirements

- For applications in manufacturing and packaging of food and pharmaceuticals, cleanroom technology, biotechnology, chemical industry.
- Smooth finish prevents harmful microorganisms from stick to the surface.
- No threads are exposed.
- Seal material according to FDA guideline 21 CFR 177.2600.
- Cleaning of cable glands is easier, faster and less expensive.
- Reliable strain relief due to strain relief element separated from the grommet.
- Suitable for high-pressure steam cleaning.
- Locknut included.

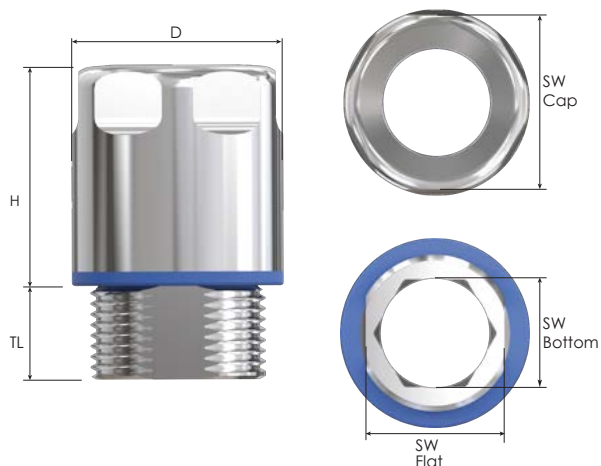
Technical Details

| | | | |
|----------------------------------|---------------------|--------------------------------------------------------------------------------------------------------------------------------------------------------------------------------------------------------------------------------------------------------------------------------------------------------------------------------------------------------------------------------------|--|
| Material | Body and Cap | Stainless Steel 1.4305(AISI 303) | |
| | Locknut | Stainless Steel 1.4305(AISI 303) | |
| | Seal | EPDM, acc. to FDA guideline 21 CFR 177.2600 | |
| Ingress Protection Rating | | IP 68 - 5 Bar, 30 min | |
| | | IP 69 | |
| | | IP 66 | |
| UL Environmental Rating | | TYPE 1, 2, 4, 4X, 12, 12K, 13 acc. to UL 50E | |
| Operating Temperature | Permanent | -20 °C to +100 °C | |
| | Intermittent | -40 °C to +150 °C | |
| Cable Type | | Non-armoured | |
| Thread Type | | <ul style="list-style-type: none"> • Metric EN 60423 • NPT ANSI B1.20.1 | |
| Accessories | | <ul style="list-style-type: none"> • Hygienic cable gland adapters • Special tools | |
| Remarks | | <ul style="list-style-type: none"> • Manufactured according to DIN EN 62444/50262. • We recommend the use of locknuts to ensure IP rating for rough surfaces or through holes. • Accessories must be ordered separately. • For assembly from outside only, special tool is available on request. • Other steel grades on request. | |

| Approvals | Certificate Number | Standards |
|-------------------------------------------------------------------------------------|--------------------|-------------------------------------------------------------|
|  | 4001820 | DIN EN 62444 |
|  | E199260 | UL514B CSA22.2 No 18.3-12 CSA22.2 No 94.2-1S UL50E |
|  | TAE00003WY | EN 62444 |
|  | C0489629 | NSF/ANSI 169 NSF/ANSI/3-A 14159-1 |

For more approvals: see our webpage.





*Locknut is included. Not shown in the drawings.

Hygienic Cable Glands Stainless Steel

| Thread Type METRIC acc. to EN 60423 | | | | | | | | | | |
|--------------------------------------------|------------------------------------|------------------------------|-------------------|------------|-----------------------------|-----------------|---------------------|-----------------------|--|-------------|
| Outer Thread Size (Male) | Clamping Range Ø min. – max. mm | Outer Thread Length TL mm | Spanner Width Cap | | Allen Screw SW Bottom mm | Outer Ø D mm | max. Height H mm | Spanner Width Locknut | | Part Number |
| | | | SW Cap mm | SW Flat mm | | | | SW mm | | |
| M12x1,5 | 3,0 - 6,5 | 6,0 | 14 | 10 | 7 | 15,6 | 23,5 | 15 | | BMHG1-0S-L |
| M16x1,5 | 5,0 - 10,0 | 7,0 | 18 | 13 | 10 | 20,2 | 26,5 | 19 | | BMHG1-01-L |
| M20x1,5 | 6,0 - 12,0 | 8,0 | 22 | 17 | 13 | 24,1 | 29,5 | 24 | | BMHG1-02-L |
| M25x1,5 | 12,0 - 17,0 | 10,0 | 28 | 22 | 17 | 30,1 | 32,5 | 30 | | BMHG1-03-L |

| Thread Type NPT acc. to ANSI ASME B1.20.1 | | | | | | | | | | |
|--------------------------------------------------|------------------------------------|------------------------------|-------------------|------------|-----------------------------|-----------------|---------------------|-----------------------|--|-------------|
| Outer Thread Size (Male) | Clamping Range Ø min. – max. mm | Outer Thread Length TL mm | Spanner Width Cap | | Allen Screw SW Bottom mm | Outer Ø D mm | max. Height H mm | Spanner Width Locknut | | Part Number |
| | | | SW Cap mm | SW Flat mm | | | | SW mm | | |
| NPT 1/4" | 3,0 - 6,5 | 10,0 | 18 | 10 | 7 | 20,2 | 23,5 | 17 | | BNHG1-0S-L |
| NPT 3/8" | 5,0 - 10,0 | 10,0 | 22 | 13 | 10 | 24,1 | 27,5 | 24 | | BNHG1-01-L |
| NPT 1/2" | 6,0 - 12,0 | 11,0 | 28 | 17 | 13 | 30,1 | 30,5 | 24 | | BNHG1-02-L |
| NPT 3/4" | 12,0 - 17,0 | 12,0 | 35 | 22 | 17 | 38,0 | 33,5 | 35 | | BNHG1-03-L |

Hygienic Cable Gland Adapters

• To reduce Allen screw SW Bottom to Allen screw SW a.

Technical Details

Material: Stainless Steel 1.4305(AISI 303)

Adapters

| For Gland Size | Allen Screw | Part Number |
|----------------|-------------|-------------|
| | SW a mm | |
| M12, NPT 1/4" | 5 | BMFGT-01 |
| M16, NPT 3/8" | 6 | BMFGT-02 |
| M20, NPT 1/2" | 8 | BMFGT-03 |
| M25, NPT 3/4" | 10 | BMFGT-04 |

